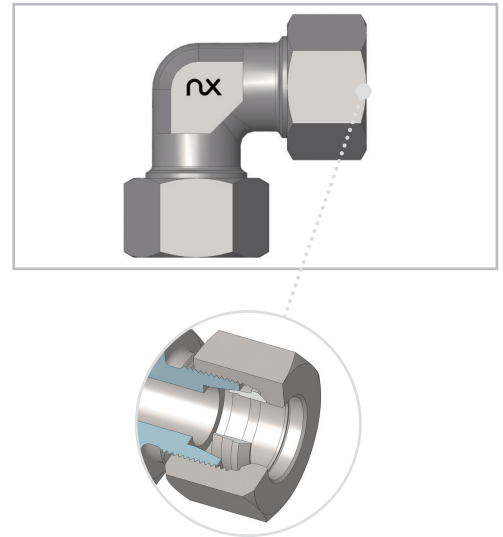
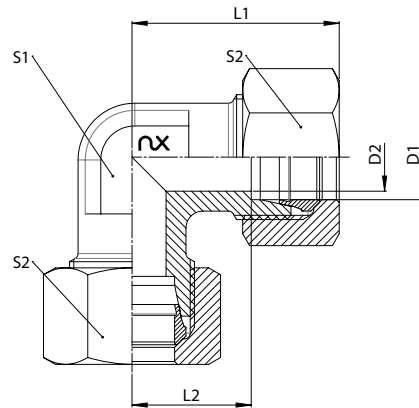


WV

- Racor Acodado
- Serie L y S
- Equal Elbow
- L and S Series



WV										
Serie	D1	D2	L1	L2	S1	S2	Peso	PN	Descripción	Artículo N°
Series	mm	mm	mm	mm	mm	mm	Weight	bar	Name	Article No.
							g			
LL	4	3	21	11	9	10	22	100	ST WV 04 LL	10209768
	6	5	21	9	9	12	29	100	ST WV 06 LL	10209769
	8	6	23	11	12	14	39	100	ST WV 08 LL	10209770
	10	8	24	12	12	17	57	100	ST WV 10 LL	10203255
	12	10	25	13	14	19	70	100	ST WV 12 LL	10238118
L	6	4	27	12	12	14	52	500	ST WV 06 L	10209814
	8	6	29	14	12	17	77	500	ST WV 08 L	10209815
	10	8	30	15	14	19	96	500	ST WV 10 L	10209816
	12	10	32	17	17	22	137	400	ST WV 12 L	10209817
	15	12	36	21	19	27	174	400	ST WV 15 L	10209818
	18	15	40	23	24	32	275	400	ST WV 18 L	10209819
	22	19	44	27	27	36	357	250	ST WV 22 L	10209820
	28	24	47	30	36	41	537	250	ST WV 28 L	10200177
	35	30	56	34	41	50	772	250	ST WV 35 L	10209821
S	42	36	63	40	50	60	1254	250	ST WV 42 L	10200310
	6	4	31	16	12	17	89	800	ST WV 06 S	10209771
	8	5	32	17	14	19	120	800	ST WV 08 S	10209772
	10	7	34	17	17	22	165	800	ST WV 10 S	10209822
	12	8	38	21	17	24	212	630	ST WV 12 S	10209823
	14	10	40	22	19	27	259	630	ST WV 14 S	10209773
	16	12	43	24	24	30	305	630	ST WV 16 S	10209824
	20	16	48	26	27	36	448	420	ST WV 20 S	10209825
	25	20	54	30	36	46	855	420	ST WV 25 S	10209826
	30	25	62	35	41	50	1080	420	ST WV 30 S	10202225
38	32	72	41	50	60	1733	420	ST WV 38 S	10200309	

Dimensiones aprox. / approx. Dimensions

■ 45° bajo pedido

■ 45° on request

■ Las descripciones dadas hacen referencia a la pieza completamente montada. Para solicitar solo cuerpo (sin tuerca ni bicono), añadir una "X" después del nombre ST. Por ejemplo: ST X WV 04 LL

■ Part numbers given refer to completely assembled parts. To request only body (without nut and cutting ring) include "X" after the name ST. For example: ST X WV 04 LL