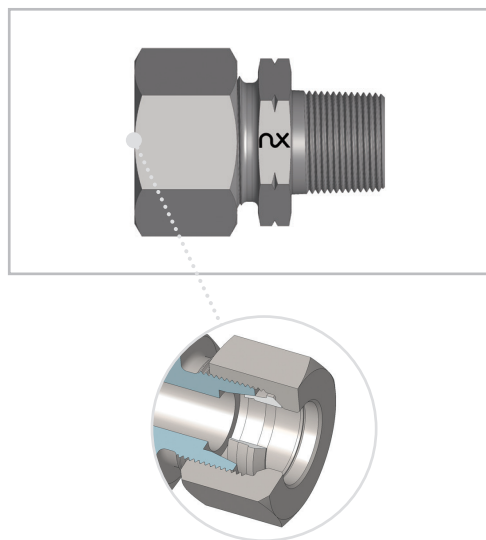
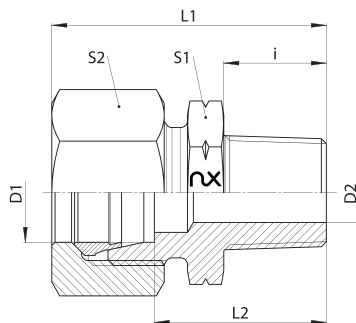


GEV - NPT

- Racor Roscado Macho
- Serie L
- Rosca: NPT

- Male Stud Connector
- L Series
- Thread: NPT



GEV - NPT

Serie Series	D1 mm	T	D2 mm	L1 mm	L2 mm	i mm	S1 mm	S2 mm	Peso Weight g	PN bar	Descripción Name	Artículo N° Article No.
LL	4	1/8 NPT	3	28	18	10	11	10	13	100	ST GEV 04 LL 1/8 NPT	10210086
	6	1/8 NPT	4	28	16	10	11	12	15	100	ST GEV 06 LL 1/8 NPT	10210087
	8	1/8 NPT	5	30	18	10	12	14	19	100	ST GEV 08 LL 1/8 NPT	10210088
L	6	1/8 NPT	4	32	17	10	12	14	23	315	ST GEV 06 L 1/8 NPT	10209143
	6	1/4 NPT	4	38	23	15	17	14	38	315	ST GEV 06 L 1/4 NPT	10209144
	6	3/8 NPT	4	38	23	15	19	14	43	315	ST GEV 06 L 3/8 NPT	10210089
	6	1/2 NPT	4	44	29	20	22	14	64	315	ST GEV 06 L 1/2 NPT	10210090
	8	1/8 NPT	4	33	18	10	14	17	33	315	ST GEV 08 L 1/8 NPT	10210091
	8	1/4 NPT	6	38	23	15	17	17	42	315	ST GEV 08 L 1/4 NPT	10209145
	8	3/8 NPT	6	38	23	15	19	17	51	315	ST GEV 08 L 3/8 NPT	10210092
	8	1/2 NPT	6	44	29	20	22	17	71	315	ST GEV 08 L 1/2 NPT	10210093
	10	1/8 NPT	4	33	18	10	17	19	40	315	ST GEV 10 L 1/8 NPT	10210094
	10	1/4 NPT	7	39	24	15	17	19	46	315	ST GEV 10 L 1/4 NPT	10202645
	10	3/8 NPT	7	40	25	15	19	19	61	315	ST GEV 10 L 3/8 NPT	10209146
	10	1/2 NPT	8	45	30	20	22	19	75	315	ST GEV 10 L 1/2 NPT	10210095
	10	3/4 NPT	8	46	31	20	30	19	114	315	ST GEV 10 L 3/4 NPT	10210096
	12	1/8 NPT	4	34	19	10	19	22	80	315	ST GEV 12 L 1/8 NPT	10210097
	12	1/4 NPT	7	40	25	15	19	22	59	315	ST GEV 12 L 1/4 NPT	10210098
	12	3/8 NPT	8	40	25	15	19	22	65	315	ST GEV 12 L 3/8 NPT	10209147
	12	1/2 NPT	10	45	30	20	24	22	90	315	ST GEV 12 L 1/2 NPT	10209148
	12	3/4 NPT	8	45	31	20	27	22	103	315	ST GEV 12 L 3/4 NPT	10210099
15	1/4 NPT	7	41	26	15	24	27	96	315	ST GEV 15 L 1/4 NPT	10238597	
15	3/8 NPT	8	41	26	15	24	27	99	315	ST GEV 15 L 3/8 NPT	10210100	
15	1/2 NPT	12	46	31	20	24	27	109	315	ST GEV 15 L 1/2 NPT	10209149	
15	3/4 NPT	12	47	32	20	30	27	158	315	ST GEV 15 L 3/4 NPT	10210101	
18	3/8 NPT	8	43	26	15	27	32	136	315	ST GEV 18 L 3/8 NPT	10200238	
18	1/2 NPT	12	48	31	20	27	32	146	315	ST GEV 18 L 1/2 NPT	10209150	
18	3/4 NPT	15	48	31	20	30	32	171	315	ST GEV 18 L 3/4 NPT	10210103	
18	1 NPT	15	54	37	25	36	32	226	315	ST GEV 18 L 1 NPT	10210104	

Dimensiones aprox. / approx. Dimensions

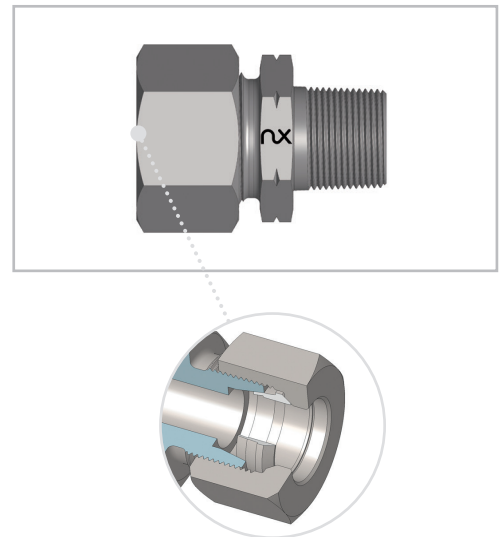
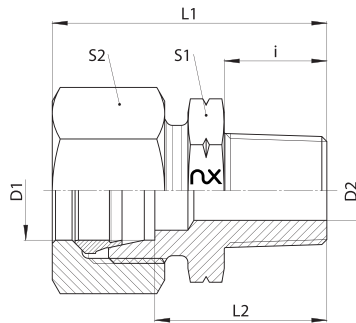
■ Las descripciones dadas hacen referencia a la pieza completamente montada. Para solicitar solo cuerpo (sin tuerca ni bicono), añadir una "X" después del nombre ST. Por ejemplo: ST X GEV 04 LL 1/8 NPT

■ Part numbers given refer to completely assembled parts. To request only body (without nut and cutting ring) include "X" after the name ST. For example: ST X GEV 04 LL 1/8 NPT

GEV - NPT

- Racor Roscado Macho
- Serie L
- Rosca: NPT

- Male Stud Connector
- L Series
- Thread: NPT



GEV - NPT												
Series	D1	T	D2	L1	L2	i	S1	S2	Peso	PN	Descripción	Artículo N°
Series	mm		mm	mm	mm	mm	mm	mm	Weight	bar	Name	Article No.
L	22	3/8 NPT	8	45	29	15	32	36	180	160	ST GEV 22 L 3/8 NPT	10210105
	22	1/2 NPT	12	50	33	20	32	36	185	160	ST GEV 22 L 1/2 NPT	10210106
	22	3/4 NPT	16	50	33	20	32	36	197	160	ST GEV 22 L 3/4 NPT	10209151
	22	1 NPT	19	56	39	25	36	36	263	160	ST GEV 22 L 1 NPT	10210107
	22	1.1/4 NPT	19	56	46	25	46	36	289	160	ST GEV 22 L 1.1/4 NPT	10238598
	28	1/2 NPT	12	51	35	20	41	41	278	160	ST GEV 28 L 1/2 NPT	10238599
	28	3/4 NPT	16	51	34	20	41	41	255	160	ST GEV 28 L 3/4 NPT	10210108
	28	1 NPT	21	56	39	25	41	41	295	160	ST GEV 28 L 1 NPT	10210109
	28	1.1/4 NPT	24	58	41	25	46	41	364	160	ST GEV 28 L 1.1/4 NPT	10210110
	35	3/4 NPT	16	61	40	20	46	50	407	160	ST GEV 35 L 3/4 NPT	10238600
	35	1 NPT	22	61	39	25	46	50	437	160	ST GEV 35 L 1 NPT	10210111
	35	1.1/4 NPT	28	62	40	26	46	50	442	160	ST GEV 35 L 1.1/4 NPT	10204305
	35	1.1/2 NPT	30	67	42	26	55	50	457	160	ST GEV 35 L 1.1/2 NPT	10238601
	42	1 NPT	22	65	42	25	55	60	621	160	ST GEV 42 L 1 NPT	10238602
42	1.1/4 NPT	28	65	42	25	55	60	629	160	ST GEV 42 L 1.1/4 NPT	10210112	
42	1.1/2 NPT	36	65	42	26	55	60	639	160	ST GEV 42 L 1.1/2 NPT	10206664	

Dimensiones aprox. / approx. Dimensions

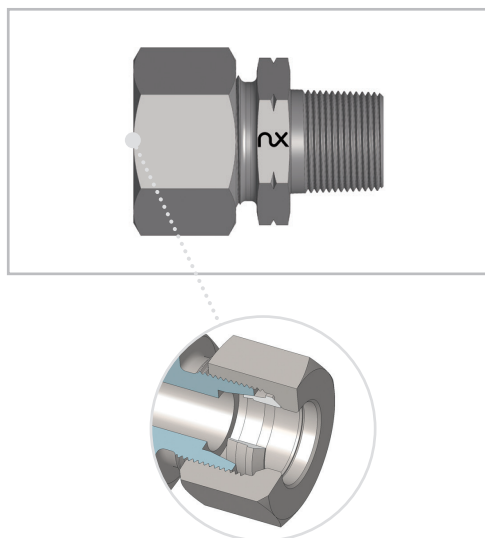
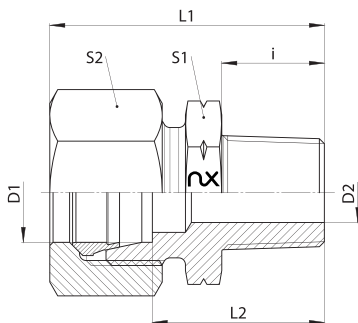
■ Las descripciones dadas hacen referencia a la pieza completamente montada. Para solicitar solo cuerpo (sin tuerca ni bicono), añadir una "X" después del nombre ST. Por ejemplo: ST X GEV 22 L 3/8 NPT

■ Part numbers given refer to completely assembled parts. To request only body (without nut and cutting ring) include "X" after the name ST. For example: ST X GEV 22 L 3/8 NPT

GEV - NPT

- Racor Roscado Macho
- Serie S
- Rosca: NPT

- Male Stud Connector
- S Series
- Thread: NPT



GEV - NPT

Serie Series	D1 mm	T	D2 mm	L1 mm	L2 mm	i mm	S1 mm	S2 mm	Peso Weight g	PN bar	Descripción Name	Artículo N° Article No.
S	6	1/8 NPT	4	36	21	10	14	17	39	630	ST GEV 06 S 1/8 NPT	10238644
	6	1/4 NPT	4	43	28	15	17	17	55	630	ST GEV 06 S 1/4 NPT	10209179
	6	3/8 NPT	4	41	26	15	19	17	58	630	ST GEV 06 S 3/8 NPT	10210114
	6	1/2 NPT	4	50	35	20	22	17	89	630	ST GEV 06 S 1/2 NPT	10210115
	8	1/8 NPT	4	38	23	10	17	19	48	630	ST GEV 08 S 1/8 NPT	10238645
	8	1/4 NPT	5	43	28	15	17	19	61	630	ST GEV 08 S 1/4 NPT	10210116
	8	3/8 NPT	5	43	28	15	19	19	69	630	ST GEV 08 S 3/8 NPT	10210117
	8	1/2 NPT	5	50	35	20	22	19	96	630	ST GEV 08 S 1/2 NPT	10210118
	10	1/8 NPT	4	40	23	10	19	22	74	630	ST GEV 10 S 1/8 NPT	10216951
	10	1/4 NPT	5	44	27	15	19	22	79	630	ST GEV 10 S 1/4 NPT	10210119
	10	3/8 NPT	7	44	27	15	19	22	83	630	ST GEV 10 S 3/8 NPT	10210120
	10	1/2 NPT	7	51	34	20	22	22	107	630	ST GEV 10 S 1/2 NPT	10210121
	10	3/4 NPT	7	53	36	20	30	22	159	630	ST GEV 10 S 3/4 NPT	10210122
	12	1/4 NPT	5	46	29	15	22	24	94	630	ST GEV 12 S 1/4 NPT	10210123
	12	3/8 NPT	8	46	29	15	22	24	99	630	ST GEV 12 S 3/8 NPT	10210124
	12	1/2 NPT	8	51	34	20	22	24	120	630	ST GEV 12 S 1/2 NPT	10210125
	12	3/4 NPT	8	53	36	20	30	24	163	630	ST GEV 12 S 3/4 NPT	10210126
	14	3/8 NPT	8	49	31	15	24	27	133	630	ST GEV 14 S 3/8 NPT	10210127
	14	1/2 NPT	10	54	36	20	24	27	145	630	ST GEV 14 S 1/2 NPT	10210128
	14	3/4 NPT	10	56	38	20	30	27	186	630	ST GEV 14 S 3/4 NPT	10210129
16	3/8 NPT	8	49	30	15	27	30	155	400	ST GEV 16 S 3/8 NPT	10210131	
16	1/2 NPT	12	54	35	20	27	30	168	400	ST GEV 16 S 1/2 NPT	10210132	
16	3/4 NPT	12	46	37	20	30	30	201	400	ST GEV 16 S 3/4 NPT	10210133	
16	1 NPT	12	61	42	25	36	30	249	400	ST GEV 16 S 1 NPT	10210134	
20	3/8 NPT	8	54	32	15	32	36	243	400	ST GEV 20 S 3/8 NPT	10238646	
20	1/2 NPT	12	59	37	20	32	36	257	400	ST GEV 20 S 1/2 NPT	10210135	
20	3/4 NPT	16	59	37	20	32	36	262	400	ST GEV 20 S 3/4 NPT	10207705	
20	1 NPT	16	66	44	25	36	36	356	400	ST GEV 20 S 1 NPT	10210136	
20	1.1/4 NPT	16	70	46	25	46	36	483	400	ST GEV 20 S 1.1/4 NPT	10238647	

Dimensiones aprox. / approx. Dimensions

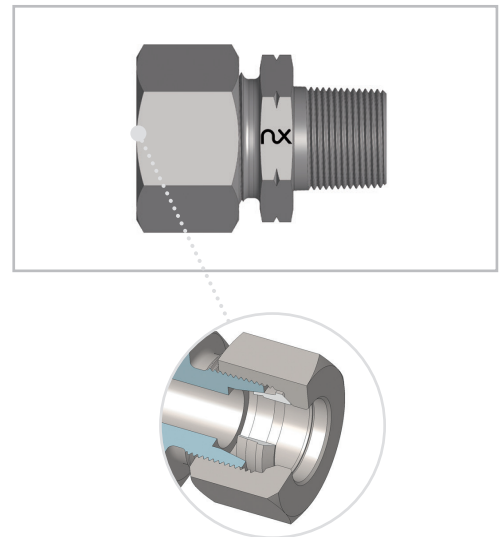
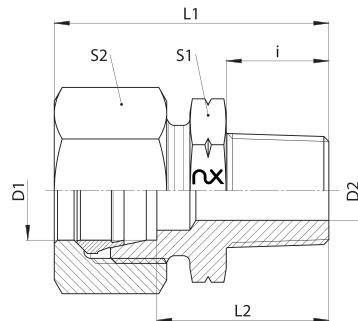
■ Las descripciones dadas hacen referencia a la pieza completamente montada. Para solicitar solo cuerpo (sin tuerca ni bicono), añadir una "X" después del nombre ST. Por ejemplo: ST X GEV 06 S 1/8 NPT

■ Part numbers given refer to completely assembled parts. To request only body (without nut and cutting ring) include "X" after the name ST. For example: ST X GEV 06 S 1/8 NPT

GEV - NPT

- Racor Roscado Macho
- Serie S
- Rosca: NPT

- Male Stud Connector
- S Series
- Thread: NPT



GEV - NPT

Series	D1	T	D2	L1	L2	i	S1	S2	Peso	PN	Descripción	Artículo N°
Series	mm		mm	mm	mm	mm	mm	mm	Weight	bar	Name	Article No.
S	25	1/2 NPT	12	59	37	20	41	46	435	400	ST GEV 25 S 1/2 NPT	10210137
	25	3/4 NPT	16	64	40	20	41	46	455	400	ST GEV 25 S 3/4 NPT	10210138
	25	1 NPT	20	69	45	25	41	46	493	400	ST GEV 25 S 1 NPT	10210139
	25	1.1/4 NPT	20	70	46	25	46	46	611	400	ST GEV 25 S 1.1/4 NPT	10210140
	30	3/4 NPT	16	67	40	20	46	50	545	400	ST GEV 30 S 3/4 NPT	10210142
	30	1 NPT	20	72	45	25	46	50	581	400	ST GEV 30 S 1 NPT	10210143
	30	1.1/4 NPT	25	73	46	26	46	50	635	400	ST GEV 30 S 1.1/4 NPT	10210144
	30	1.1/2 NPT	25	73	46	26	50	50	678	400	ST GEV 30 S 1.1/2 NPT	10210145
	38	1 NPT	22	79	48	25	55	60	871	315	ST GEV 38 S 1 NPT	10210146
	38	1.1/4 NPT	20	73	46	25	55	60	921	315	ST GEV 38 S 1.1/4 NPT	10210147
38	1.1/2 NPT	25	80	46	26	55	60	981	315	ST GEV 38 S 1.1/2 NPT	10210148	

Dimensiones aprox. / approx. Dimensions

■ Las descripciones dadas hacen referencia a la pieza completamente montada. Para solicitar solo cuerpo (sin tuerca ni bicono), añadir una "X" después del nombre ST. Por ejemplo: ST X GEV 25 S 1/2 NPT

■ Part numbers given refer to completely assembled parts. To request only body (without nut and cutting ring) include "X" after the name ST. For example: ST X GEV 25 S 1/2 NPT