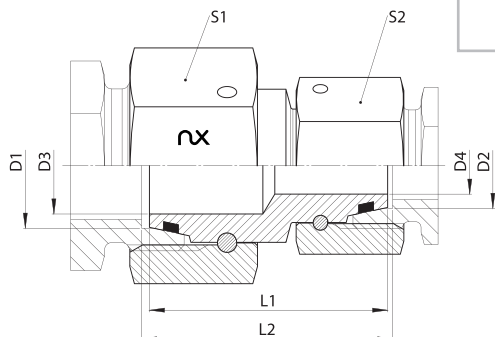


EDKRV

- Racor de Unión Reductor
- Con cono 24° DKO y O-ring NBR
- Serie L y S

- Swivel Reducer
- with 24° DKO swivel and NBR O-ring
- L and L-S Series



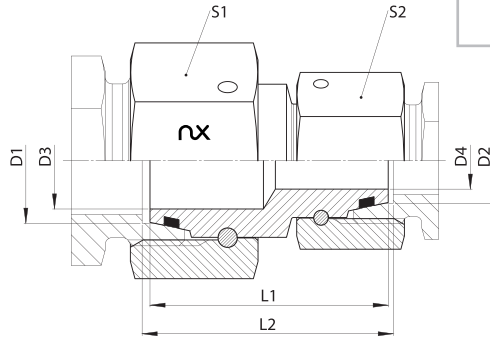
EDKRV												
Serie Series	D1 mm	D2 mm	D3 mm	D4 mm	L1 mm	L2 mm	S1 mm	S2 mm	Peso Weight g	PN bar	Descripción Name	Artículo N° Article No.
L/S	06 L	06 S	3	3	36	38	17	17	34	500	ST EDKRV 06 L / 06 S	10238733
L	08 L	06 L	4	3	34	36	17	17	36	500	ST EDKRV 08 L / 06 L	10238741
L/S	08 L	08 S	4	4	36	38	17	19	48	500	ST EDKRV 08 L / 08 S	10215349
L	10 L	06 L	6	3	35	37	19	17	44	500	ST EDKRV 10 L / 06 L	10238742
	10 L	08 L	6	4	35	37	19	17	50	500	ST EDKRV 10 L / 08 L	10216089
L/S	10 L	10 S	6	6	39	40	19	22	63	500	ST EDKRV 10 L / 10 S	10238734
L	12 L	06 L	8	3	35	37	22	17	56	400	ST EDKRV 12 L / 06 L	10238743
	12 L	08 L	8	4	36	38	22	17	62	400	ST EDKRV 12 L / 08 L	10216915
	12 L	10 L	8	6	37	38	22	19	65	400	ST EDKRV 12 L / 10 L	10238744
L/S	12 L	12 S	8	8	39	41	22	24	85	400	ST EDKRV 12 L / 12 S	10215352
L	15 L	08 L	10	4	37	38	27	17	98	400	ST EDKRV 15 L / 08 L	10238745
	15 L	10 L	10	6	38	39	27	19	101	400	ST EDKRV 15 L / 10 L	10238746
	15 L	12 L	10	8	44	45	27	22	108	400	ST EDKRV 15 L / 12 L	10217988
	18 L	10 L	13	6	38	40	32	19	125	400	ST EDKRV 18 L / 10 L	10238747
	18 L	12 L	13	8	38	40	32	22	132	400	ST EDKRV 18 L / 12 L	10216918
L/S	18 L	15 L	13	10	45	47	32	27	155	400	ST EDKRV 18 L / 15 L	10238748
L/S	18 L	16 S	13	11	44	47	32	30	177	400	ST EDKRV 18 L / 16 S	10238735
L	22 L	12 S	17	8	41	42	36	22	195	250	ST EDKRV 22 L / 12 L	10238749
	22 L	15 L	17	10	42	44	36	27	215	250	ST EDKRV 22 L / 15 L	10238750
	22 L	18 L	17	13	45	47	36	32	228	250	ST EDKRV 22 L / 18 L	10238751
L/S	22 L	20 S	17	14	50	54	36	36	266	250	ST EDKRV 22 L / 20 S	10215354
L	28 L	15 L	22	10	43	45	41	27	143	250	ST EDKRV 28 L / 15 L	10238752
	28 L	18 L	22	13	44	46	41	32	311	250	ST EDKRV 28 L / 18 L	10238753
	28 L	22 L	22	17	46	48	41	36	309	250	ST EDKRV 28 L / 22 L	10216090
L/S	28 L	25 S	22	18	53	58	41	46	419	250	ST EDKRV 28 L / 25 S	10238736
L	35 L	18 L	28	13	48	52	50	32	430	250	ST EDKRV 35 L / 18 L	10216920
	35 L	22 L	28	17	50	53	50	36	429	250	ST EDKRV 35 L / 22 L	10238754
L	35 L	28 L	28	22	50	54	50	46	415	250	ST EDKRV 35 L / 28 L	10238755

Dimensiones aprox. / approx. Dimensions

EDKRV

- Racor de Unión Reductor
- Con cono 24° DKO y O-ring
- Serie L y S

- Swivel Reducer
- with 24° DKO swivel and NBR O-ring
- L and L-S Series



EDKRV												
Serie	D1	D2	D3	D4	L1	L2	S1	S2	Peso	PN	Descripción	Artículo N°
Series	mm	mm	mm	mm	mm	mm	mm	mm	Weight	bar	Name	Article No.
L/S	35 L	30 S	28	23	61	69	50	50	577	250	ST EDKRV 35 L / 30 S	10217497
L	42 L	22 L	34	17	50	54	60	36	653	250	ST EDKRV 42 L / 22 L	10238756
	42 L	28 L	34	22	50	54	60	46	648	250	ST EDKRV 42 L / 28 L	10238757
L	42 L	35 L	34	28	53	59	60	50	662	250	ST EDKRV 42 L / 35 L	10238758
	42 L	38 S	34	30	55	66	60	60	822	250	ST EDKRV 42 L / 38 S	10215736
S	08 S	06 S	4	3	37	39	19	17	49	800	ST EDKRV 08 S / 06 S	10238759
	10 S	06 S	6	3	41	43	22	17	60	800	ST EDKRV 10 S / 06 S	10238760
	10 S	08 S	6	4	39	41	22	19	66	800	ST EDKRV 10 S / 08 S	10238761
	12 S	06 S	8	3	39	43	24	17	77	630	ST EDKRV 12 S / 06 S	10216916
	12 S	08 S	8	4	44	46	24	19	82	630	ST EDKRV 12 S / 08 S	10216917
	12 S	10 S	8	6	42	44	24	22	89	630	ST EDKRV 12 S / 10 S	10238762
	16 S	10 S	11	6	44	47	30	22	138	630	ST EDKRV 16 S / 10 S	10203982
	16 S	12 S	11	8	48	51	30	24	143	630	ST EDKRV 16 S / 12 S	10215351
S/L	16 S	15 L	11	10	43	45	30	27	153	400	ST EDKRV 16 S / 15 L	10238737
S	20 S	12 S	14	8	49	52	36	24	204	420	ST EDKRV 20 S / 12 S	10238763
	20 S	16 S	14	11	53	57	36	30	232	420	ST EDKRV 20 S / 16 S	10203984
S/L	20 S	18 L	14	13	48	51	36	32	224	400	ST EDKRV 20 S / 18 L	10238738
S	25 S	16 S	18	11	52	58	46	30	224	420	ST EDKRV 25 S / 16 S	10210986
	25 S	20 S	18	14	58	65	46	36	364	420	ST EDKRV 25 S / 20 S	10210987
S/L	25 S	22 L	18	17	57	62	46	36	475	250	ST EDKRV 25 S / 22 L	10238739
S	30 S	16 S	23	11	54	62	50	30	475	420	ST EDKRV 30 S / 16 S	10238764
	30 S	20 S	23	14	59	67	50	36	500	420	ST EDKRV 30 S / 20 S	10216919
	30 S	25 S	23	18	60	70	50	46	589	420	ST EDKRV 30 S / 25 S	10210988
S/L	30 S	28 L	23	22	59	66	50	46	476	250	ST EDKRV 30 S / 28 L	10238740
S	38 S	20 S	30	14	61	72	60	36	671	420	ST EDKRV 38 S / 20 S	10238765
	38 S	25 S	30	18	63	75	60	46	759	420	ST EDKRV 38 S / 25 S	10210989
	38 S	30 S	30	23	65	78	60	50	767	420	ST EDKRV 38 S / 30 S	10210990
S/L	38 S	35 L	30	28	62	73	60	50	662	250	ST EDKRV 38 S / 35 L	10215737

Dimensiones aprox. / approx. Dimensions