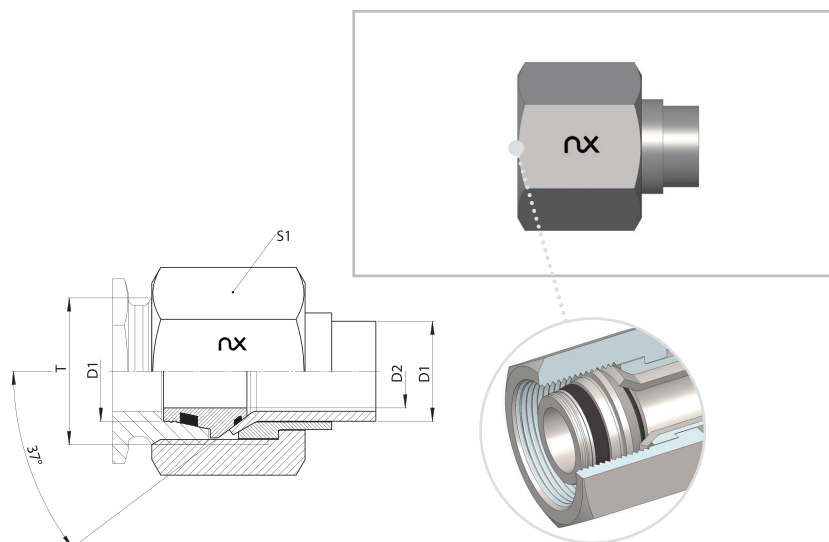


BO - SET

- Adaptadores para Tubo 37°
 - Para cuerpos con Cono DIN 24° (no JIC)
 - Serie L y S
 - Rosca: Métrica cilíndrica
 - Cierre mediante O-Ring NBR (ISO 11926)
- 37° Flared Tube Connectors
 - for 24° DIN body and 37° flared tube (no JIC)
 - L and S Series
 - Thread: Metric parallel
 - sealing by O-ring NBR (ISO 11926)



BO - SET

Series	D1 mm	T	D2 mm	S1 mm	PN bar	Serie Name	Artículo N° Article No.
L	6	M 12 x 1,5	3	14	500	ST BO - SET 06 L	10215303
	8	M 14 x 1,5	5	17	500	ST BO - SET 08 L	10206588
	10	M 16 x 1,5	6	19	500	ST BO - SET 10 L	10208923
	12	M 18 x 1,5	8	22	400	ST BO - SET 12 L	10200244
	15	M 22 x 1,5	11	27	400	ST BO - SET 15 L	10200245
	18	M 26 x 1,5	14	32	400	ST BO - SET 18 L	10200315
	22	M 30 x 2	17	36	250	ST BO - SET 22 L	10200246
	28	M 36 x 2	23	41	250	ST BO - SET 28 L	10200947
	35	M 45 x 2	28	50	250	ST BO - SET 35 L	10208588
S	42	M 52 x 2	35	60	250	ST BO - SET 42 L	10200247
	6	M 14 x 1,5	3	17	800	ST BO - SET 06 S	10215304
	8	M 16 x 1,5	5	19	800	ST BO - SET 08 S	10200700
	10	M 18 x 1,5	6	22	800	ST BO - SET 10 S	10215305
	12	M 20 x 1,5	8	24	630	ST BO - SET 12 S	10200248
	14	M 22 x 1,5	9	27	630	ST BO - SET 14 S	10206610
	16	M 24 x 1,5	11	30	630	ST BO - SET 16 S	10206611
	20	M 30 x 2	14	36	420	ST BO - SET 20 S	10201903
	25	M 36 x 2	19	46	420	ST BO - SET 25 S	10200249
30	M 42 x 2	23	50	420	ST BO - SET 30 S	10200553	
38	M 52 x 2	30	60	420	ST BO - SET 38 S	10200250	