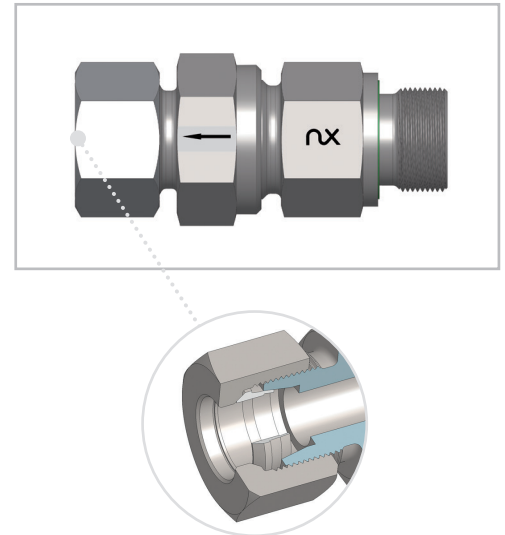
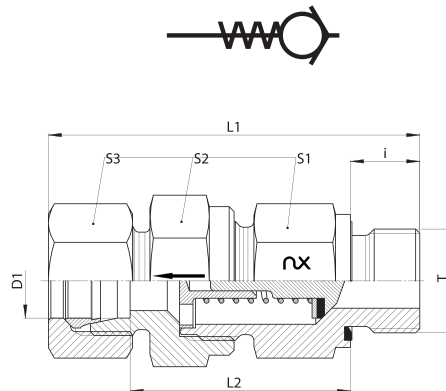


RSVV - R - WD

- Antirretorno con Rosca Macho
 - Fluido de Rosca a Tubo
 - Serie L y S
 - Rosca: BSPP
 - Cierre mediante junta NBR DIN 3869
- Check Valve with Male Stud
 - Flow from Stud Thread
 - L and S Series
 - Thread: BSPP
 - sealing by NBR profile ring DIN 3869



RSVV - R - WD

Serie	D1	d	T	L1	L2	i	S1	S2	S3	Peso	PN	Descripción	Artículo
Series	mm	mm		mm	mm	mm	mm	mm	mm	Weight	bar	Name	Article No.
L	6	14	G 1/8"	51	36	8	22	27	14	120	400	ST RSVV 06 LR 1/8 WD	10219731
	8	19	G 1/4"	51	36	12	22	27	17	140	400	ST RSVV 08 LR 1/4 WD	10219732
	10	19	G 1/4"	49	34	12	22	27	19	130	400	ST RSVV 10 LR 1/4 WD	10219733
	12	22	G 3/8"	54	39	12	22	27	22	170	400	ST RSVV 12 LR 3/8 WD	10219734
	15	27	G 1/2"	56	41	14	27	32	27	240	400	ST RSVV 15 LR 1/2 WD	10219735
	18	27	G 1/2"	62	46	14	27	32	32	290	400	ST RSVV 18 LR 1/2 WD	10219736
	22	32	G 3/4"	70	54	16	41	46	36	530	250	ST RSVV 22 LR 3/4 WD	10219737
	28	40	G 1"	77	61	18	41	46	41	680	250	ST RSVV 28 LR 1 WD	10219738
	35	50	G 1.1/4"	89	67	20	60	70	50	1560	250	ST RSVV 35 LR 1.1/4 WD	10219739
42	55	G 1.1/2"	88	65	22	60	70	60	1610	250	ST RSVV 42 LR 1.1/2 WD	10219740	
S	6	19	G 1/4"	53	38	12	22	27	17	130	400	ST RSVV 06 SR 1/4 WD	10219741
	8	19	G 1/4"	51	36	12	22	27	19	140	400	ST RSVV 08 SR 1/4 WD	10219742
	10	22	G 3/8"	54	38	12	22	27	22	160	400	ST RSVV 10 SR 3/8 WD	10219743
	12	22	G 3/8"	56	40	12	22	27	24	180	400	ST RSVV 12 SR 3/8 WD	10219744
	14	27	G 1/2"	60	42	14	27	32	27	250	400	ST RSVV 14 SR 1/2 WD	10219745
	16	27	G 1/2"	63	45	14	27	32	30	280	400	ST RSVV 16 SR 1/2 WD	10219746
	20	32	G 3/4"	74	53	16	41	46	36	550	400	ST RSVV 20 SR 3/4 WD	10219747
	25	40	G 1"	77	53	18	41	46	46	740	250	ST RSVV 25 SR 1 WD	10219748
	30	50	G 1.1/4"	87	61	20	50	55	50	1050	250	ST RSVV 30 SR 1.1/4 WD	10219749
38	55	G 1.1/2"	96	66	22	60	70	60	2000	250	ST RSVV 38 SR 1.1/2 WD	10219750	

Dimensiones aprox. / approx. Dimensions

■ Las descripciones dadas hacen referencia a la pieza completamente montada. Para solicitar solo cuerpo (sin tuerca ni bicono), añadir una "X" después del nombre ST. Por ejemplo: ST X RSVV 06 LR 1/8 WD

■ Part numbers given refer to completely assembled parts. To request only body (without nut and cutting ring) include "X" after the name ST. For example: ST X RSVV 06 LR 1/8 WD

■ Presión de apertura 1bar, otras presiones de apertura bajo pedido.

■ Opening pressure 1,0 bar, other opening pressures on request.