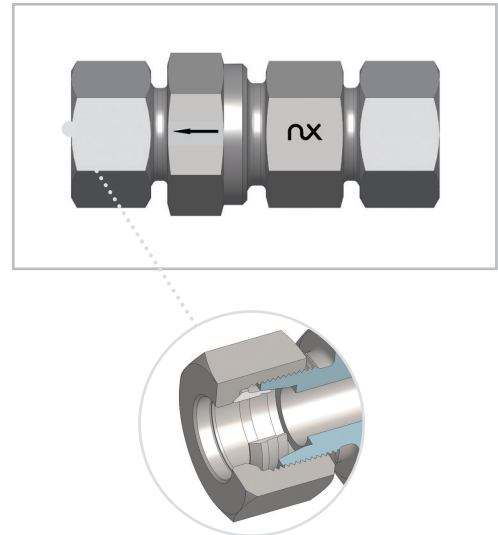
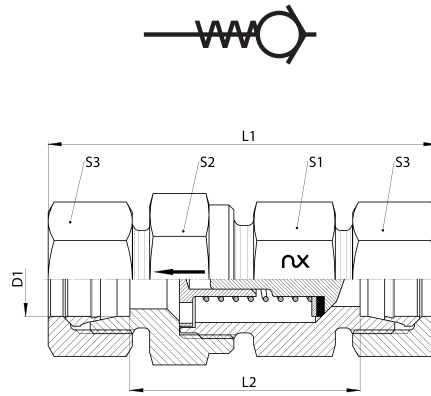


## RSV

- Antirretorno Tubo-Tubo
- Serie L y S

- Check Valve with Tube Connection
- L and S Series



| RSV          |       |       |       |       |       |       |               |             |                  |                      |
|--------------|-------|-------|-------|-------|-------|-------|---------------|-------------|------------------|----------------------|
| Serie Series | D1 mm | L1 mm | L2 mm | S1 mm | S2 mm | S3 mm | Peso Weight g | PN bar      | Descripción Name | Artículo Article No. |
| L            | 6     | 67    | 38    | 22    | 27    | 14    | 130           | 400         | ST RSV 06 L      | 10239418             |
|              | 8     | 67    | 38    | 22    | 27    | 17    | 150           | 400         | ST RSV 08 L      | 10239419             |
|              | 10    | 67    | 38    | 22    | 27    | 19    | 150           | 400         | ST RSV 10 L      | 10239420             |
|              | 12    | 68    | 39    | 22    | 27    | 22    | 190           | 400         | ST RSV 12 L      | 10239421             |
|              | 15    | 74    | 44    | 27    | 32    | 27    | 270           | 400         | ST RSV 15 L      | 10239422             |
|              | 18    | 80    | 48    | 27    | 32    | 32    | 360           | 400         | ST RSV 18 L      | 10239423             |
|              | 22    | 92    | 60    | 41    | 46    | 36    | 620           | 250         | ST RSV 22 L      | 10239424             |
|              | 28    | 99    | 66    | 41    | 46    | 41    | 770           | 250         | ST RSV 28 L      | 10219076             |
|              | 35    | 114   | 71    | 60    | 70    | 50    | 1680          | 250         | ST RSV 35 L      | 10219077             |
|              | 42    | 101   | 65    | 60    | 70    | 60    | 2240          | 250         | ST RSV 42 L      | 10219816             |
| S            | 6     | 71    | 42    | 22    | 27    | 17    | 140           | 400         | ST RSV 06 S      | 10219078             |
|              | 8     | 67    | 38    | 22    | 27    | 19    | 150           | 400         | ST RSV 08 S      | 10239426             |
|              | 10    | 71    | 39    | 22    | 27    | 22    | 170           | 400         | ST RSV 10 S      | 10239427             |
|              | 12    | 72    | 40    | 22    | 27    | 24    | 210           | 400         | ST RSV 12 S      | 10239428             |
|              | 14    | 81    | 46    | 27    | 32    | 27    | 300           | 400         | ST RSV 14 S      | 10219079             |
|              | 16    | 84    | 48    | 32    | 32    | 30    | 350           | 400         | ST RSV 16 S      | 10239429             |
|              | 20    | 100   | 57    | 41    | 46    | 36    | 680           | 400         | ST RSV 20 S      | 10239430             |
|              | 25    | 105   | 57    | 41    | 46    | 46    | 950           | 250         | ST RSV 25 S      | 10239431             |
| 30           | 117   | 64    | 50    | 55    | 50    | 1290  | 250           | ST RSV 30 S | 10219080         |                      |
| 38           | 128   | 67    | 60    | 70    | 60    | 2350  | 250           | ST RSV 38 S | 10219081         |                      |

Dimensiones aprox. / approx. Dimensions

■ Las descripciones dadas hacen referencia a la pieza completamente montada. Para solicitar solo cuerpo (sin tuerca ni bicono), añadir una "X" después del nombre ST. Por ejemplo: ST X RSV 06 L

■ Part numbers given refer to completely assembled parts. To request only body (without nut and cutting ring) include "X" after the name ST. For example: ST X RSV 06 L

■ Presión de apertura 1bar, otras presiones de apertura bajo pedido.

■ Opening pressure 1,0 bar, other opening pressures on request.