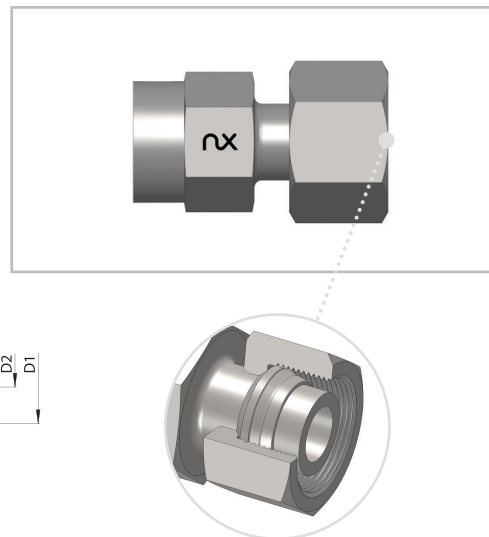
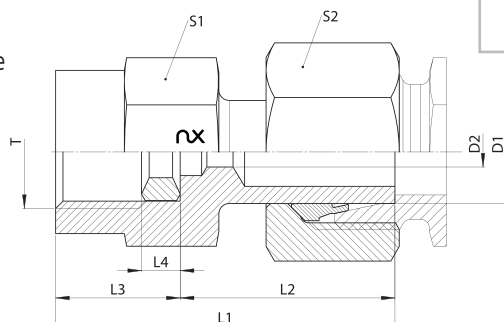


MAEV - R

- Racor para Manómetro Orientable
- Serie L y S
- Rosca Hembra: BSPP
- Junta Interna Metálica (DKRI)

- Pressure Gauge Connector Standpipe
- L and S Series
- Female Thread: BSPP
- Internal metallic seal ring (DKRI)



MAEV - R													
Series	D1	T	D2	L1	L2	L3	L4	S1	S2	Peso	PN	Descripción	Artículo N°
Series	mm		mm	mm	mm	mm	mm	mm	mm	Weight	bar	Name	Article No.
L	6	G 1/4"	4	38	24	15	5	19	14	49	500	ST MAEV 06 LR 1/4	10211328
	6	G 1/2"	4	45	25	20	5	27	14	42	500	ST MAEV 06 LR 1/2	10238660
	8	G 1/4"	4	38	24	15	5	19	17	55	500	ST MAEV 08 LR 1/4	10211329
	8	G 1/2"	4	45	25	20	5	27	17	48	500	ST MAEV 08 LR 1/2	10238661
	10	G 1/4"	4	40	25	15	5	19	19	62	500	ST MAEV 10 LR 1/4	10211330
	10	G 1/2"	4	47	27	20	5	27	19	56	500	ST MAEV 10 LR 1/2	10238662
	12	G 1/4"	4	41	26	15	5	19	22	72	400	ST MAEV 12 LR 1/4	10211331
	12	G 1/2"	4	48	28	20	5	27	22	69	400	ST MAEV 12 LR 1/2	10238663
S	6	G 1/4"	4	38	24	15	5	19	17	105	800	ST MAEV 06 SR 1/4	10238664
	6	G 1/2"	4	45	25	20	5	27	17	99	800	ST MAEV 06 SR 1/2	10211332
	8	G 1/4"	4	38	24	15	5	19	19	111	800	ST MAEV 08 SR 1/4	10217291
	8	G 1/2"	4	45	25	20	5	27	19	105	800	ST MAEV 08 SR 1/2	10211333
	10	G 1/4"	4	40	25	15	5	19	22	124	800	ST MAEV 10 SR 1/4	10216997
	10	G 1/2"	4	47	27	20	5	27	22	118	800	ST MAEV 10 SR 1/2	10211334
	12	G 1/4"	4	41	26	15	5	19	24	133	630	ST MAEV 12 SR 1/4	10218237
	12	G 1/2"	4	48	28	20	5	27	24	127	630	ST MAEV 12 SR 1/2	10211335

Dimensiones aprox. / approx. Dimensions

■ Las descripciones dadas hacen referencia a la pieza completamente montada. Para solicitar solo cuerpo (sin tuerca ni bicono), añadir una "X" después del nombre ST. Por ejemplo: ST X MAEV 06 LR 1/4

■ Part numbers given refer to completely assembled parts. To request only body (without nut and cutting ring) include "X" after the name ST. For example: ST X MAEV 06 LR 1/4