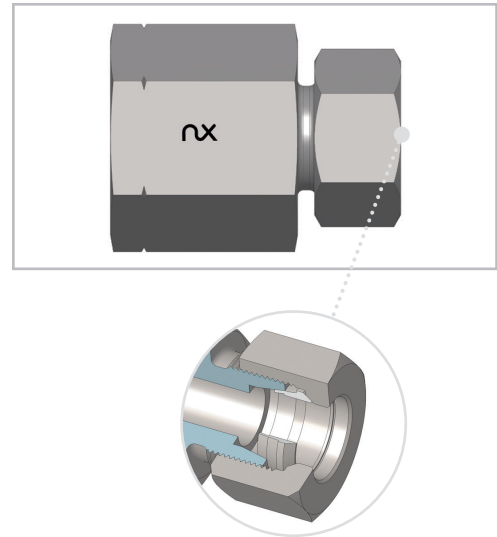
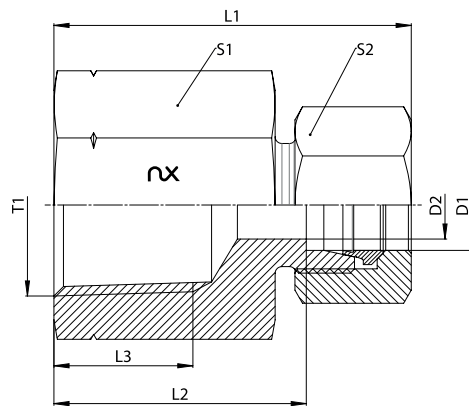


## GAIV - NPT

- Racor recto hembra
- Serie L y S
- Rosca Hembra: NPT

- Straight Female Connector
- L and S Series
- Female Thread: NPT



GAIV - NPT												
Serie	D1	T1	D2	L1	L2	L3	S1	S2	Peso	PN	Descripción	Artículo N°
Series	mm		mm	mm	mm	mm	mm	mm	Weight	bar	Name	Article No.
L	10	1/4 NPT	8	39	24	10	19	19	61	500	ST GAIV 10 L 1/4 NPT	10217333
S	12	3/8 NPT	8	44	28	10	24	24	114	630	ST GAIV 12 S 3/8 NPT	10218135
	20	1/2 NPT	16	55	34	14	32	36	242	420	ST GAIV 20 S 1/2 NPT	10217487
	20	3/4 NPT	16	57	36	14	36	36	327	420	ST GAIV 20 S 3/4 NPT	10218136
	16	1/2 NPT	12	50	35	14	27	30	183	630	ST GAIV 16 S 1/2 NPT	10220609

Dimensiones aprox. / approx. Dimensions

■ Las descripciones dadas hacen referencia a la pieza completamente montada. Para solicitar solo cuerpo (sin tuerca ni bicono), añadir una "X" después del nombre ST. Por ejemplo: ST X GAIV 10 L 1/4 NPT

■ Part numbers given refer to completely assembled parts. To request only body (without nut and cutting ring) include "X" after the name ST. For example: ST X GAIV 10 L 1/4 NPT