

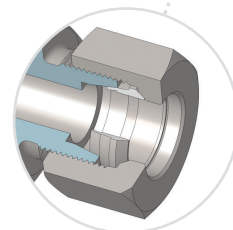
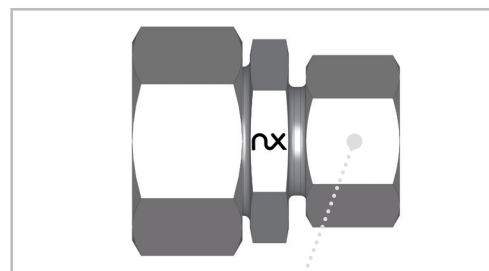
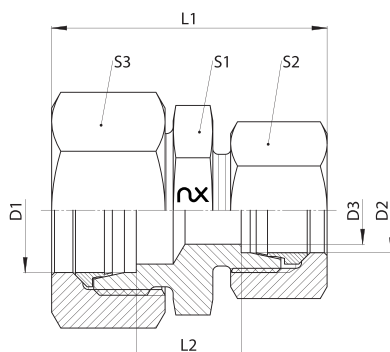
GRV

■ Racor Recto Reductor

■ Serie L

■ Straight Reducer

■ L Series



| GRV | | | | | | | | | Peso | | Descripción | Artículo N° |
|--------|----|----|----|----|----|----|----|-----|--------|----------------|-----------------|-------------|
| Serie | D1 | D2 | D3 | L1 | L2 | S1 | S2 | S3 | Weight | PN | Name | Article No. |
| Series | mm | mm | mm | mm | mm | mm | mm | mm | g | bar | | |
| LL | 6 | 4 | 3 | 32 | 10 | 11 | 10 | 12 | 18 | 100 | ST GRV 06 04 LL | 10238657 |
| | 8 | 4 | 3 | 34 | 13 | 12 | 10 | 14 | 21 | 100 | ST GRV 08 04 LL | 10238658 |
| | 8 | 6 | 4 | 34 | 11 | 12 | 12 | 14 | 25 | 100 | ST GRV 08 06 LL | 10238659 |
| L | 8 | 6 | 4 | 40 | 11 | 14 | 14 | 17 | 44 | 500 | ST GRV 08 06 L | 10200478 |
| | 10 | 6 | 4 | 41 | 12 | 17 | 14 | 19 | 53 | 500 | ST GRV 10 06 L | 10209152 |
| | 10 | 8 | 6 | 41 | 12 | 17 | 17 | 19 | 59 | 500 | ST GRV 10 08 L | 10209153 |
| | 12 | 6 | 4 | 42 | 13 | 19 | 14 | 22 | 66 | 400 | ST GRV 12 06 L | 10215769 |
| | 12 | 8 | 6 | 42 | 13 | 19 | 17 | 22 | 71 | 400 | ST GRV 12 08 L | 10209154 |
| | 12 | 10 | 8 | 43 | 14 | 19 | 19 | 22 | 78 | 400 | ST GRV 12 10 L | 10206952 |
| | 15 | 10 | 8 | 44 | 15 | 24 | 19 | 27 | 113 | 400 | ST GRV 15 10 L | 10209155 |
| | 15 | 12 | 10 | 44 | 15 | 24 | 22 | 27 | 120 | 400 | ST GRV 15 12 L | 10209156 |
| | 18 | 10 | 8 | 46 | 15 | 27 | 19 | 32 | 153 | 400 | ST GRV 18 10 L | 10211461 |
| | 18 | 12 | 10 | 46 | 15 | 27 | 22 | 32 | 160 | 400 | ST GRV 18 12 L | 10209157 |
| | 18 | 15 | 12 | 47 | 16 | 27 | 27 | 32 | 179 | 400 | ST GRV 18 15 L | 10209158 |
| | 22 | 12 | 10 | 48 | 17 | 32 | 22 | 36 | 197 | 250 | ST GRV 22 12 L | 10211462 |
| | 22 | 15 | 12 | 49 | 18 | 32 | 27 | 36 | 224 | 250 | ST GRV 22 15 L | 10209159 |
| | 22 | 18 | 15 | 50 | 18 | 32 | 32 | 36 | 245 | 250 | ST GRV 22 18 L | 10209160 |
| | 28 | 18 | 15 | 52 | 19 | 41 | 32 | 41 | 307 | 250 | ST GRV 28 18 L | 10211466 |
| | 28 | 22 | 19 | 54 | 21 | 41 | 36 | 41 | 326 | 250 | ST GRV 28 22 L | 10211467 |
| | 35 | 22 | 19 | 59 | 21 | 46 | 36 | 50 | 448 | 250 | ST GRV 35 22 L | 10211468 |
| | 35 | 28 | 24 | 59 | 21 | 46 | 41 | 50 | 461 | 250 | ST GRV 35 28 L | 10211469 |
| 42 | 35 | 30 | 66 | 21 | 55 | 50 | 60 | 726 | 250 | ST GRV 42 35 L | 10211471 | |

Dimensiones aprox. / approx. Dimensions

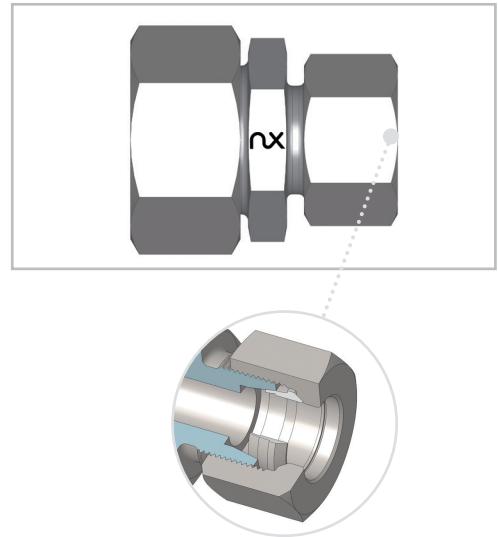
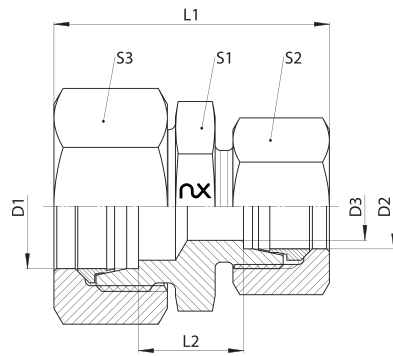
■ Las descripciones dadas hacen referencia a la pieza completamente montada. Para solicitar solo cuerpo (sin tuerca ni bicono), añadir una "X" después del nombre ST. Por ejemplo: ST X GRV 06 04 LL

■ Part numbers given refer to completely assembled parts. To request only body (without nut and cutting ring) include "X" after the name ST. For example: ST X GRV 06 04 LL

GRV

- Racor Rector Reductor
- Serie S

- Straight Reducer
- S Series



GRV

| Serie Series | D1 mm | D2 mm | D3 mm | L1 mm | L2 mm | S1 mm | S2 mm | S3 mm | Peso Weight g | PN bar | Descripción Name | Artículo N° Article No. |
|--------------|-------|-------|-------|-------|-------|-------|-------|-------|---------------|----------------|------------------|-------------------------|
| S | 8 | 6 | 4 | 47 | 18 | 17 | 17 | 19 | 76 | 800 | ST GRV 08 06 S | 10211472 |
| | 10 | 6 | 4 | 48 | 17 | 19 | 17 | 22 | 93 | 800 | ST GRV 10 06 S | 10211473 |
| | 10 | 8 | 5 | 48 | 17 | 19 | 19 | 22 | 99 | 800 | ST GRV 10 08 S | 10211474 |
| | 12 | 6 | 4 | 50 | 19 | 22 | 17 | 24 | 112 | 630 | ST GRV 12 06 S | 10211475 |
| | 12 | 8 | 5 | 50 | 19 | 22 | 19 | 24 | 117 | 630 | ST GRV 12 08 S | 10211476 |
| | 12 | 10 | 7 | 51 | 19 | 22 | 22 | 24 | 130 | 630 | ST GRV 12 10 S | 10211477 |
| | 14 | 10 | 7 | 54 | 20 | 24 | 22 | 27 | 161 | 630 | ST GRV 14 10 S | 10211639 |
| | 14 | 12 | 8 | 54 | 20 | 24 | 24 | 27 | 166 | 630 | ST GRV 14 12 S | 10211640 |
| | 16 | 10 | 7 | 54 | 20 | 27 | 22 | 30 | 186 | 630 | ST GRV 16 10 S | 10211641 |
| | 16 | 12 | 8 | 54 | 20 | 27 | 24 | 30 | 196 | 630 | ST GRV 16 12 S | 10211642 |
| | 16 | 14 | 10 | 57 | 21 | 27 | 27 | 30 | 207 | 630 | ST GRV 16 14 S | 10211643 |
| | 20 | 10 | 7 | 60 | 22 | 32 | 22 | 36 | 276 | 420 | ST GRV 20 10 S | 10211644 |
| | 20 | 12 | 8 | 60 | 22 | 32 | 24 | 36 | 282 | 420 | ST GRV 20 12 S | 10211645 |
| | 20 | 16 | 12 | 62 | 23 | 32 | 30 | 36 | 319 | 420 | ST GRV 20 16 S | 10211647 |
| | 25 | 16 | 12 | 68 | 25 | 41 | 30 | 46 | 523 | 420 | ST GRV 25 16 S | 10211649 |
| | 25 | 20 | 16 | 71 | 25 | 41 | 36 | 46 | 564 | 420 | ST GRV 25 20 S | 10211650 |
| | 30 | 20 | 16 | 74 | 26 | 46 | 36 | 50 | 651 | 420 | ST GRV 30 20 S | 10211651 |
| | 30 | 25 | 20 | 77 | 26 | 46 | 46 | 50 | 770 | 420 | ST GRV 30 25 S | 10211652 |
| 38 | 30 | 25 | 87 | 29 | 55 | 50 | 60 | 1122 | 420 | ST GRV 38 30 S | 10211653 | |

Dimensiones aprox. / approx. Dimensions

■ Las descripciones dadas hacen referencia a la pieza completamente montada. Para solicitar solo cuerpo (sin tuerca ni bicono), añadir una "X" después del nombre ST. Por ejemplo: ST X GRV 08 06 S

■ Part numbers given refer to completely assembled parts. To request only body (without nut and cutting ring) include "X" after the name ST. For example: ST X GRV 08 06 S