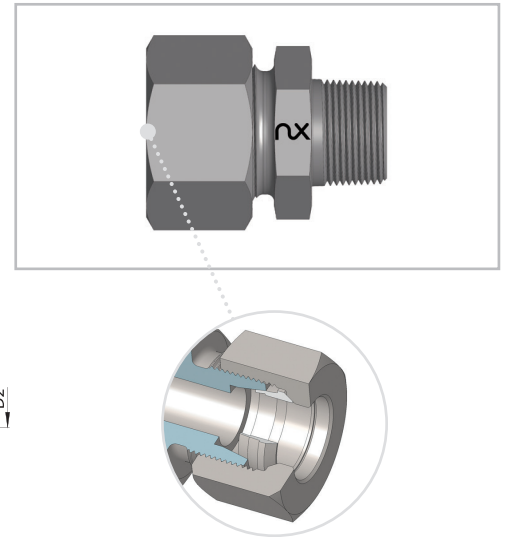
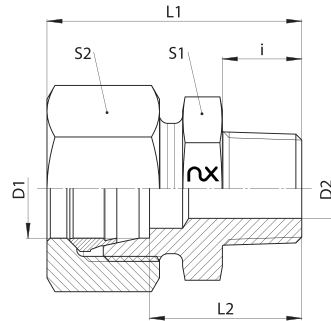


## GEV - R - keg.

- Racor Roscado macho
- Serie L
- Rosca: BSPT

- Male Stud Connector
- L Series
- Thread: BSPT



### GEV - R - keg.

Series	D1 mm	T	D2 mm	L1 mm	L2 mm	i mm	S1 mm	S2 mm	Peso Weight g	PN bar	Descripción Name	Artículo N° Article No.
LL	4	R 1/8 keg.	3	26	16	8	10	10	12	100	ST GEV 04 LLR 1/8 keg.	10202659
	6	R 1/8 keg.	5	26	15	8	11	12	15	100	ST GEV 06 LLR 1/8 keg.	10209956
	8	R 1/8 keg.	6	28	17	8	12	14	18	100	ST GEV 08 LLR 1/8 keg.	10209957
	8	R 1/4 keg.	6	32	21	12	14	14	26	100	ST GEV 08 LLR 1/4 keg.	10209958
	10	R 1/4 keg.	8	32	21	12	14	17	28	100	ST GEV 10 LLR 1/4 keg.	10202732
L	6	R 1/8 keg.	4	30	15	8	12	14	23	250	ST GEV 06 LR 1/8 keg.	10202728
	6	R 1/4 keg.	4	35	20	12	14	14	27	250	ST GEV 06 LR 1/4 keg.	10209959
	6	R 3/8 keg.	4	34	21	12	19	14	30	250	ST GEV 06 LR 3/8 keg.	10209960
	8	R 1/8 keg.	4	33	18	8	17	17	32	250	ST GEV 08 LR 1/8 keg.	10239183
	8	R 1/4 keg.	6	35	20	12	14	17	39	250	ST GEV 08 LR 1/4 keg.	10202731
	8	R 3/8 keg.	6	36	21	12	17	17	42	250	ST GEV 08 LR 3/8 keg.	10209962
	8	R 1/2 keg.	6	38	23	14	24	17	47	250	ST GEV 08 LR 1/2 keg.	10209963
	10	R 1/8 keg.	4	34	17	8	17	19	41	250	ST GEV 10 LR 1/8 keg.	10238612
	10	R 1/4 keg.	7	36	21	12	17	19	45	250	ST GEV 10 LR 1/4 keg.	10209964
	10	R 3/8 keg.	8	37	22	12	17	19	51	250	ST GEV 10 LR 3/8 keg.	10209965
	10	R 1/2 keg.	8	38	23	14	22	19	56	250	ST GEV 10 LR 1/2 keg.	10209966
	12	R 1/4 keg.	7	37	22	12	19	22	82	250	ST GEV 12 LR 1/4 keg.	10209967
	12	R 3/8 keg.	9	37	22	12	19	22	84	250	ST GEV 12 LR 3/8 keg.	10209968
	12	R 1/2 keg.	10	39	24	14	22	22	89	250	ST GEV 12 LR 1/2 keg.	10202729
	15	R 3/8 keg.	9	38	23	12	24	27	96	250	ST GEV 15 LR 3/8 keg.	10209969
	15	R 1/2 keg.	12	40	25	14	24	27	106	250	ST GEV 15 LR 1/2 keg.	10202730
	15	R 3/4 keg.	12	44	29	17	27	27	117	250	ST GEV 15 LR 3/4 keg.	10238864
	18	R 3/8 keg.	9	40	23	12	27	32	123	250	ST GEV 18 LR 3/8 keg.	10218010
	18	R 1/2 keg.	15	42	25	14	27	32	132	250	ST GEV 18 LR 1/2 keg.	10209970
	18	R 3/4 keg.	14	45	28	17	27	32	138	250	ST GEV 18 LR 3/4 keg.	10238617
22	R 3/4 keg.	17	46	29	16	32	36	188	160	ST GEV 22 LR 3/4 keg.	10202736	

Dimensiones aprox. / approx. Dimensions

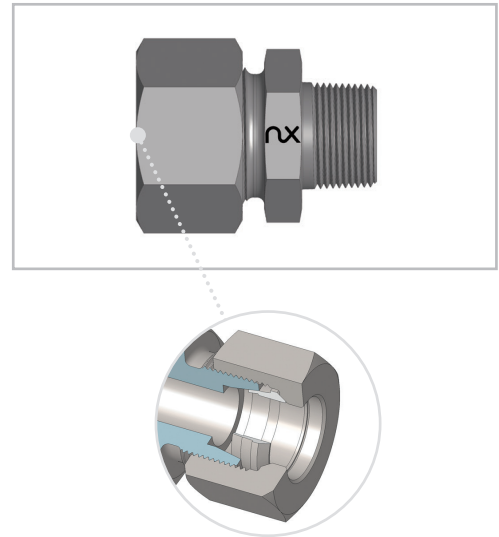
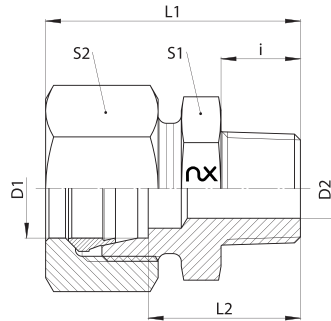
■ Las descripciones dadas hacen referencia a la pieza completamente montada. Para solicitar solo cuerpo (sin tuerca ni bicono), añadir una "X" después del nombre ST. Por ejemplo: ST X GEV 04 LLR 1/8 keg

■ Part numbers given refer to completely assembled parts. To request only body (without nut and cutting ring) include "X" after the name ST. For example: ST X GEV 04 LLR 1/8 keg

## GEV - R - keg.

- Racor Roscado Macho
- Serie L
- Rosca: BSPT

- Male Stud Connector
- L Series
- Thread: BSPT



### GEV - R - keg.

Serie Series	D1 mm	T	D2 mm	L1 mm	L2 mm	i mm	S1 mm	S2 mm	Peso Weight g	PN bar	Descripción Name	Artículo N° Article No.
L	28	R 3/4 keg.	19	47	30	16	41	41	228	160	ST GEV 28 LR 3/4 keg.	10238622
	28	R 1 keg.	20	51	34	18	41	41	252	160	ST GEV 28 LR 1 keg.	10217045
	35	R 1.1/4 keg.	24	56	34	20	46	50	395	160	ST GEV 35 LR 1.1/4 keg.	10202733
	35	R 1.1/2 keg.	30	60	38	22	50	50	445	160	ST GEV 35 LR 1.1/2 keg.	10238625
	42	R 1.1/4 keg.	30	59	36	20	55	60	549	160	ST GEV 42 LR 1.1/4 keg.	10238626
	42	R 1.1/2 keg.	36	61	38	22	55	60	574	160	ST GEV 42 LR 1.1/2 keg.	10238627

Dimensiones aprox. / approx. Dimensions

■ Las descripciones dadas hacen referencia a la pieza completamente montada. Para solicitar solo cuerpo (sin tuerca ni bicono), añadir una "X" después del nombre ST. Por ejemplo: ST X GEV 28 LR 3/4 keg.

■ Part numbers given refer to completely assembled parts. To request only body (without nut and cutting ring) include "X" after the name ST. For example: ST X GEV 28 LR 3/4 keg.